

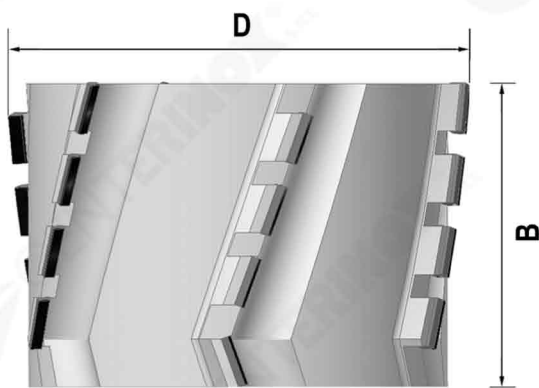
FDT010

Fresa elicoidale antischeggia al diamante H2,5
Per macchina bordatrice

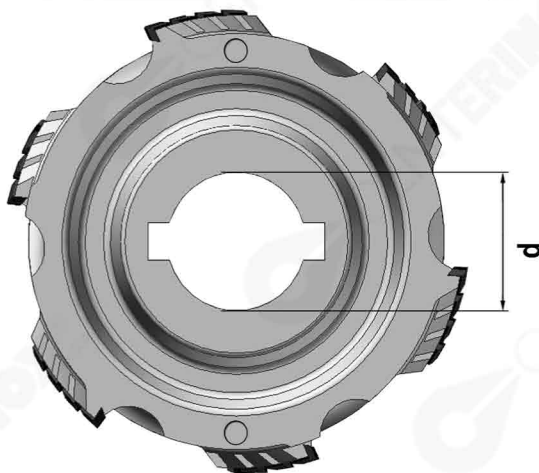
Helical edgebanding anti-chipping tools pcd H2,5



CODE		D mm	B mm	d mm	Z=2+2 n° placchette
RIGHT Rot.	LEFT Rot.				
FDT010.001R	FDT010.001L	80	40	30	10
FDT010.002R	FDT010.002L	80	48	30	12
FDT010.003R	FDT010.003L	80	55	30	14
FDT010.004R	FDT010.004L	80	65	30	16
FDT010.005R	FDT010.005L	100	40	30	10
FDT010.006R	FDT010.006L	100	48	30	12
FDT010.007R	FDT010.007L	100	55	30	14
FDT010.008R	FDT010.008L	100	65	30	16
FDT010.009R	FDT010.009L	125	40	30	10
FDT010.010R	FDT010.010L	125	48	30	12
FDT010.011R	FDT010.011L	125	55	30	14
FDT010.012R	FDT010.012L	125	65	30	16



CODE		D mm	B mm	d mm	Z=3+3 n° placchette
RIGHT Rot.	LEFT Rot.				
FDT010.013R	FDT010.013L	80	40	30	15
FDT010.014R	FDT010.014L	80	48	30	18
FDT010.015R	FDT010.015L	80	55	30	21
FDT010.016R	FDT010.016L	80	65	30	24
FDT010.017R	FDT010.017L	100	40	30	15
FDT010.018R	FDT010.018L	100	48	30	18
FDT010.019R	FDT010.019L	100	55	30	21
FDT010.020R	FDT010.020L	100	65	30	24
FDT010.021R	FDT010.021L	125	40	30	15
FDT010.022R	FDT010.022L	125	48	30	18
FDT010.023R	FDT010.023L	125	55	30	21
FDT010.024R	FDT010.024L	125	65	30	24



Rotazione destra
Right rotation

Rotazione sinistra
Left rotation