

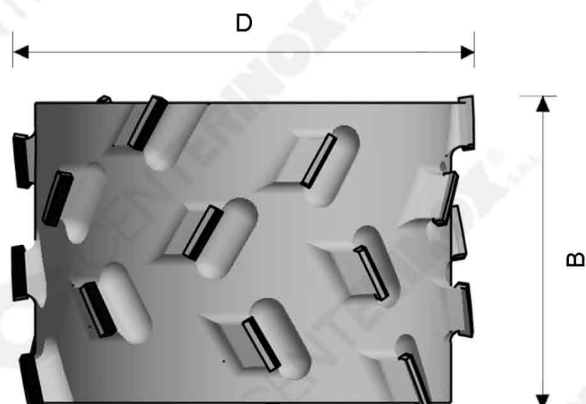
# FDT020

Fresa elicoidale antischeggia al diamante H2,5  
Per macchina bordatrice

Helical edgebanding anti-chipping tools pcd H2,5



CODE	D mm	B mm	d mm	Z=2+2 n° placchette
FDT020.001	80	40	30	10
FDT020.002	80	48	30	12
FDT020.003	80	55	30	14
FDT020.004	80	65	30	16
FDT020.005	100	40	30	10
FDT020.006	100	48	30	12
FDT020.007	100	55	30	14
FDT020.008	100	65	30	16
FDT020.009	125	40	30	10
FDT020.010	125	48	30	12
FDT020.011	125	55	30	14
FDT020.012	125	65	30	16



CODE	D mm	B mm	d mm	Z=3+3 n° placchette
FDT020.013	80	40	30	15
FDT020.014	80	48	30	18
FDT020.015	80	55	30	21
FDT020.016	80	65	30	24
FDT020.017	100	40	30	15
FDT020.018	100	48	30	18
FDT020.019	100	55	30	21
FDT020.020	100	65	30	24
FDT020.021	125	40	30	15
FDT020.022	125	48	30	18
FDT020.023	125	55	30	21
FDT020.024	125	65	30	24

