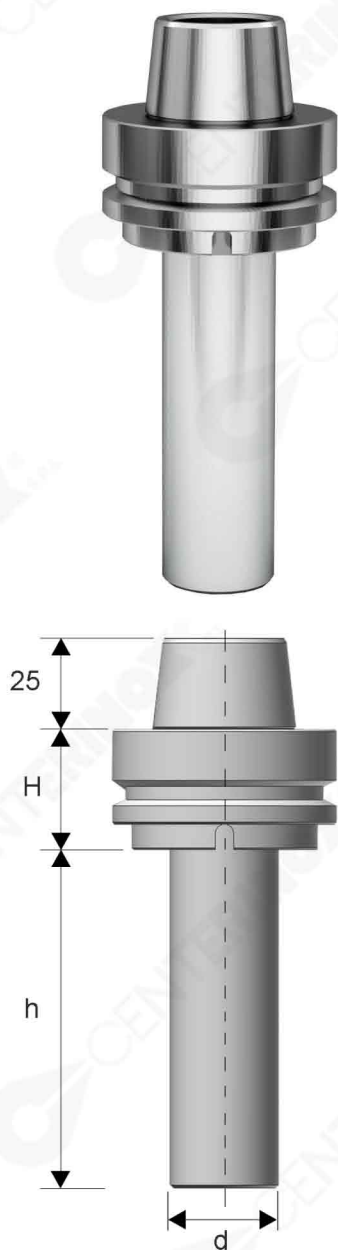


MPP030

Mandrini HSK-63F alberato

Toolholders HSK-63F



MONTAGGIO SU MACCHINA: BIESSE - DUBUS - WEEKE - HOMAG-BUSELLATO - EIMA - IMA (da 9/94)

CODE	h mm	H mm	d mm
MPP030.001	70	42	20
MPP030.002	70	42	30
MPP030.003	80	42	30
MPP030.004	100	42	30
MPP030.005	150	42	30
MPP030.006	70	42	35
MPP030.007	80	42	35
MPP030.008	100	42	35
MPP030.009	150	42	35
MPP030.010	70	42	40
MPP030.011	80	42	40
MPP030.012	100	42	40
MPP030.013	150	42	40

MONTAGGIO SU MACCHINA: SCM - MORBIDELLI

CODE	h mm	H mm	d mm
MPP030.014	70	33	20
MPP030.015	70	33	30
MPP030.016	80	33	30
MPP030.017	100	33	30
MPP030.018	150	33	30
MPP030.019	70	33	35
MPP030.020	80	33	35
MPP030.021	100	33	35
MPP030.022	150	33	35
MPP030.023	70	33	40
MPP030.024	80	33	40
MPP030.025	100	33	40
MPP030.026	150	33	40

Completo di viti e flangia prolungata

Screw and reduced flanged cap included

Ricambi / Parts

	TAMP	flangia femmina	TAPF	vite per flangia	ESM6X20
flangia prolungata expanded flanged cap		reduced flanged cap		screw for flange	