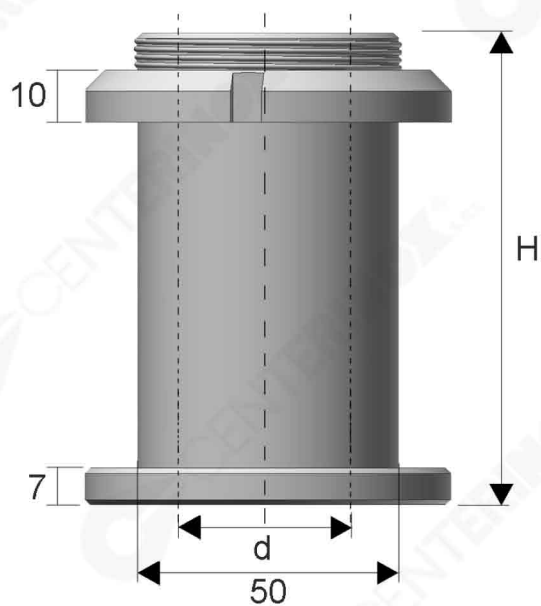


MPP105

Mozzo porta utensili (diametro esterno 50)

Cutter - holder hub



CODE	d mm	H mm
MPP105.001	30	60
MPP105.002	30	70
MPP105.003	30	80
MPP105.004	30	90
MPP105.005	30	95
MPP105.006	30	100
MPP105.007	30	105
MPP105.008	30	110
MPP105.009	30	115
MPP105.010	30	120
MPP105.011	30	125
MPP105.012	30	130
MPP105.013	35	60
MPP105.014	35	70
MPP105.015	35	80
MPP105.016	35	90
MPP105.017	35	95
MPP105.018	35	100
MPP105.019	35	105
MPP105.020	35	110
MPP105.021	35	115
MPP105.022	35	120
MPP105.023	35	125
MPP105.024	35	130
MPP105.025	40	60
MPP105.026	40	70
MPP105.027	40	80
MPP105.028	40	90
MPP105.029	40	95
MPP105.030	40	100
MPP105.031	40	105
MPP105.032	40	110
MPP105.033	40	115
MPP105.034	40	120
MPP105.035	40	125
MPP105.036	40	130