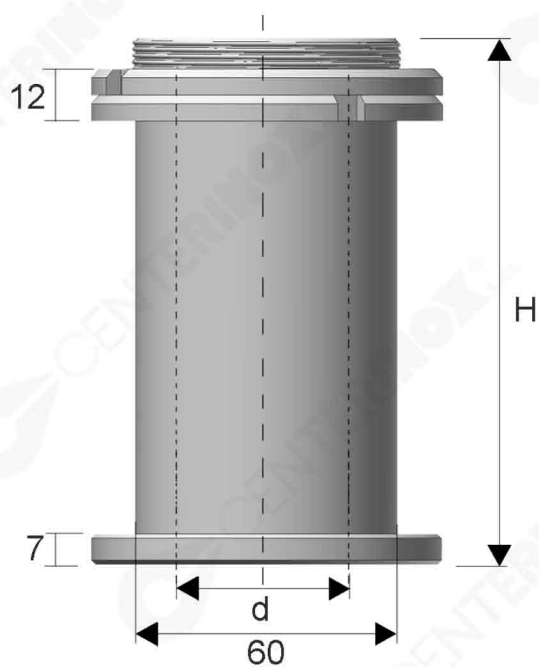


MPP110

Mozzo porta utensili (diametro esterno 60)

Cutter - holder hub



CODE	d mm	H mm	CODE	d mm	H mm
MPP110.001	30	60	MPP110.037	45	60
MPP110.002	30	70	MPP110.038	45	70
MPP110.003	30	80	MPP110.039	45	80
MPP110.004	30	90	MPP110.040	45	90
MPP110.005	30	95	MPP110.041	45	95
MPP110.006	30	100	MPP110.042	45	100
MPP110.007	30	105	MPP110.043	45	105
MPP110.008	30	110	MPP110.044	45	110
MPP110.009	30	115	MPP110.045	45	115
MPP110.010	30	120	MPP110.046	45	120
MPP110.011	30	125	MPP110.047	45	125
MPP110.012	30	130	MPP110.048	45	130
MPP110.013	35	60	MPP110.049	50	60
MPP110.014	35	70	MPP110.050	50	70
MPP110.015	35	80	MPP110.051	50	80
MPP110.016	35	90	MPP110.052	50	90
MPP110.017	35	95	MPP110.053	50	95
MPP110.018	35	100	MPP110.054	50	100
MPP110.019	35	105	MPP110.055	50	105
MPP110.020	35	110	MPP110.056	50	110
MPP110.021	35	115	MPP110.057	50	115
MPP110.022	35	120	MPP110.058	50	120
MPP110.023	35	125	MPP110.059	50	125
MPP110.024	35	130	MPP110.060	50	130
MPP110.025	40	60			
MPP110.026	40	70			
MPP110.027	40	80			
MPP110.028	40	90			
MPP110.029	40	95			
MPP110.030	40	100			
MPP110.031	40	105			
MPP110.032	40	110			
MPP110.033	40	115			
MPP110.034	40	120			
MPP110.035	40	125			
MPP110.036	40	130			