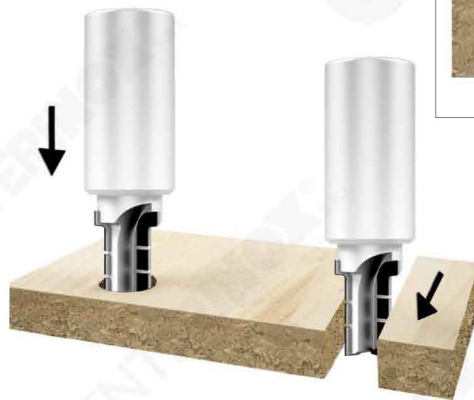
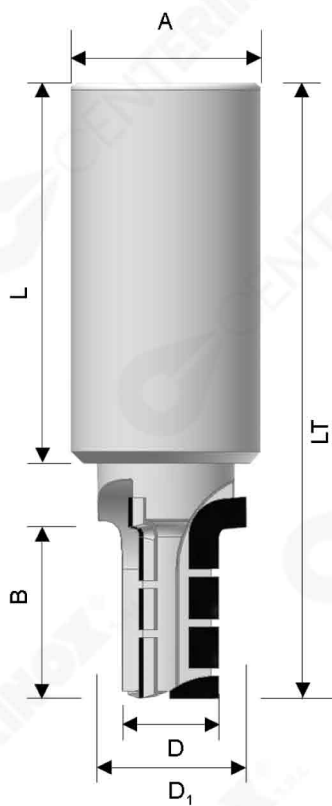
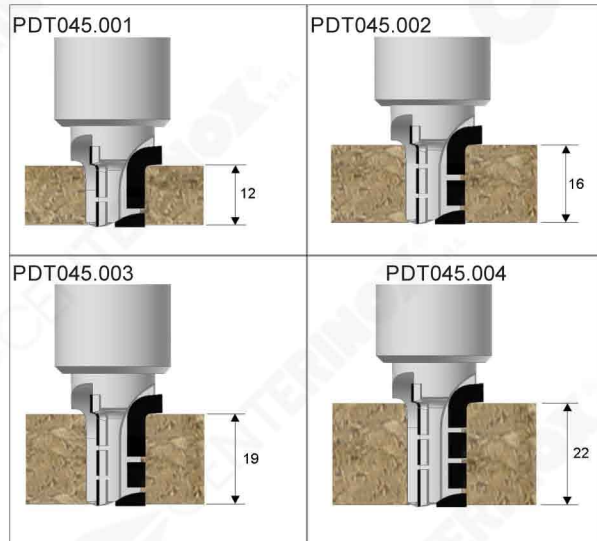




CODE		D	D ₁	B	LT	A	L	Z
RIGHT Rot.	LEFT Rot.	mm	mm	mm	mm	mm	mm	
PDT045.001R	PDT045.001L	12	20	12.3	80	18	50	3 + 1 PCD
PDT045.002R	PDT045.002L	12	20	12.3	80	25	50	3 + 1 PCD
PDT045.003R	PDT045.003L	12	20	16.3	80	18	50	3 + 1 PCD
PDT045.004R	PDT045.004L	12	20	16.3	80	25	50	3 + 1 PCD
PDT045.005R	PDT045.005L	12	20	19.3	80	18	50	3 + 1 PCD
PDT045.006R	PDT045.006L	12	20	19.3	80	25	50	3 + 1 PCD
PDT045.007R	PDT045.007L	12	20	22.3	80	18	50	3 + 1 PCD
PDT045.008R	PDT045.008L	12	20	22.3	80	25	50	3 + 1 PCD

Esempi di lavorazione
Working example



Si consiglia l'utilizzo della punta PDT045 in abbinato con i Vortici VRT010 / VRT015.
Vedi pag. 83 / 84

We recommend the use of the routerbit PDT045 combined with Vortex VRT010 / VRT015.
See page 83 / 84

VRT010



VRT015

