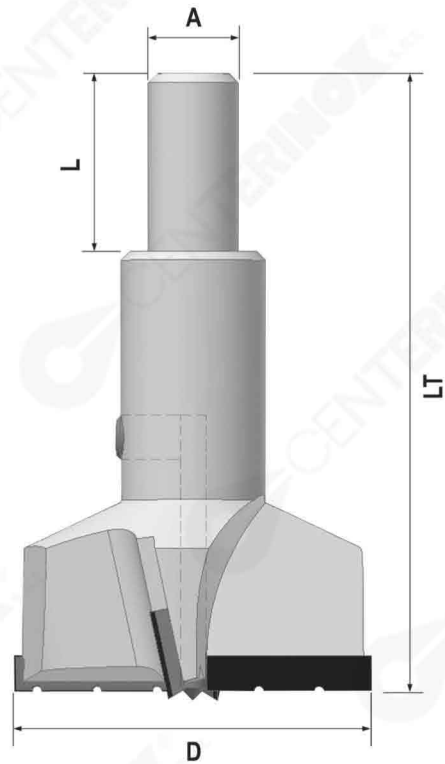


Cylinder boring bit



CODE		D mm	LT mm	A mm	L mm	Z
RIGHT Rot.	LEFT Rot.					
PDT075.001R	PDT075.001L	14	57,5	10	20	2 + 2
PDT075.002R	PDT075.002L	15	57,5	10	20	2 + 2
PDT075.003R	PDT075.003L	16	57,5	10	20	2 + 2
PDT075.004R	PDT075.004L	18	57,5	10	20	2 + 2
PDT075.005R	PDT075.005L	20	57,5	10	20	2 + 2
PDT075.006R	PDT075.006L	22	57,5	10	20	2 + 2
PDT075.007R	PDT075.007L	24	57,5	10	20	2 + 2
PDT075.008R	PDT075.008L	25	57,5	10	20	2 + 2
PDT075.009R	PDT075.009L	26	57,5	10	20	2 + 2
PDT075.010R	PDT075.010L	28	57,5	10	20	2 + 2
PDT075.011R	PDT075.011L	30	57,5	10	20	2 + 2
PDT075.012R	PDT075.012L	32	57,5	10	20	2 + 2
PDT075.013R	PDT075.013L	35	57,5	10	20	2 + 2
PDT075.014R	PDT075.014L	38	57,5	10	20	2 + 2
PDT075.015R	PDT075.015L	40	57,5	10	20	2 + 2
PDT075.016R	PDT075.016L	14	70	10	20	2 + 2
PDT075.017R	PDT075.017L	15	70	10	20	2 + 2
PDT075.018R	PDT075.018L	16	70	10	20	2 + 2
PDT075.019R	PDT075.019L	18	70	10	20	2 + 2
PDT075.020R	PDT075.020L	20	70	10	20	2 + 2
PDT075.021R	PDT075.021L	22	70	10	20	2 + 2
PDT075.022R	PDT075.022L	24	70	10	20	2 + 2
PDT075.023R	PDT075.023L	25	70	10	20	2 + 2
PDT075.024R	PDT075.024L	26	70	10	20	2 + 2
PDT075.025R	PDT075.025L	28	70	10	20	2 + 2
PDT075.026R	PDT075.026L	30	70	10	20	2 + 2
PDT075.027R	PDT075.027L	32	70	10	20	2 + 2
PDT075.028R	PDT075.028L	35	70	10	20	2 + 2
PDT075.029R	PDT075.029L	38	70	10	20	2 + 2
PDT075.030R	PDT075.030L	40	70	10	20	2 + 2

