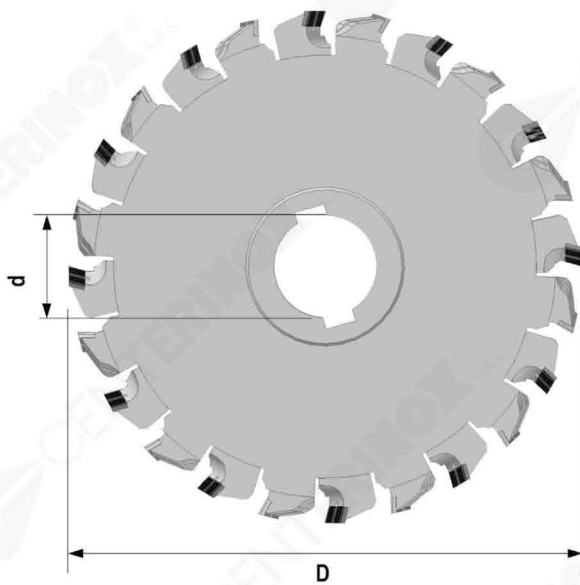


# RDT015

Fresa a finire multitaglienti regolabile con anelli

Adjustable multi-cutting finishing milling cutters with distance rings



CODE	D mm	B mm	d mm	Z	DIAMANTE	
					h mm	n°
RDT015.001	150	19 - 28	30	4	6	12 + 12
RDT015.002	200	19 - 28	35 / 40	4	6	12 + 12
RDT015.003	200	19 - 28	35 / 40	6	6	18 + 18
RDT015.004	200	24 - 38	35 / 40	4	6	16 + 16
RDT015.005	200	24 - 38	35 / 40	6	6	24 + 24
RDT015.006	200	29 - 48	35 / 40	4	6	20 + 20
RDT015.007	200	29 - 48	35 / 40	6	6	30 + 30
RDT015.008	200	34 - 58	35 / 40	4	6	24 + 24
RDT015.009	200	34 - 58	35 / 40	6	6	36 + 36

