

# TFM255 I

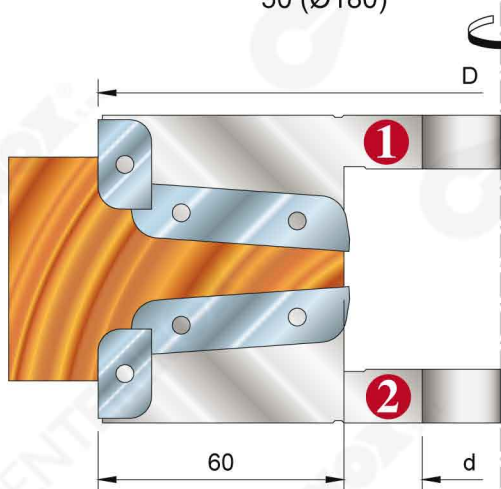
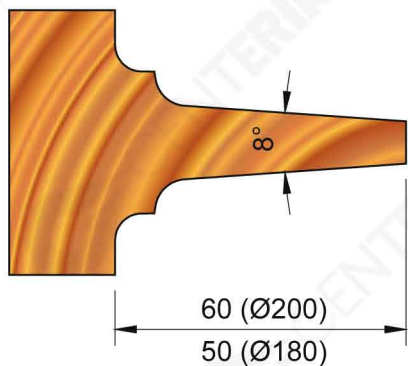
Testa portacoltelli per bugne multiprofilo

Multi profile rised panel cutterhead



Utensile collaudato  
secondo la normativa  
Tool tested  
according to the norm

EN 847-1



CODICE CODE	D mm	d mm	Z	RIF.
TFM255I.001	180	35/40/50	2+2	1
TFM255I.002	180	35/40/50	2+2	2
TFM255I.003	200	35/40/50	2+2	1
TFM255I.004	200	35/40/50	2+2	2

CODICE CODE	D	PARTI DI RICAMBIO SPARE PARTS		
GRN1DX-SX		VITE / SCREW	M8-M6	
OGV1SB		OGIVA / NUT	M8	
T19SB		CUNEO / WEDGE	19mm	
T49SB		CUNEO / WEDGE	49mm	
CLT255/V1		COLTELLO / KNIFE	20X12X1.5	
CLT255/V2		COLTELLO / KNIFE	20X12X1.5	
CLT255/T1		COLTELLO / KNIFE	20X12X1.5	
CLT255/T2		COLTELLO / KNIFE	20X12X1.5	
CLT255/A1-50	180	COLTELLO / KNIFE	50X12X1.5	
CLT255/A2-50	180	COLTELLO / KNIFE	50X12X1.5	
CLT255/B1-50	180	COLTELLO / KNIFE	50X12X1.5	
CLT255/B2-50	180	COLTELLO / KNIFE	50X12X1.5	
CLT255/C1-50	180	COLTELLO / KNIFE	50X12X1.5	
CLT255/C2-50	180	COLTELLO / KNIFE	50X12X1.5	
CLT255/A1-60	200	COLTELLO / KNIFE	60X12X1.5	
CLT255/A2-60	200	COLTELLO / KNIFE	60X12X1.5	
CLT255/B1-60	200	COLTELLO / KNIFE	60X12X1.5	
CLT255B2-60	200	COLTELLO / KNIFE	60X12X1.5	
CLT255C1-60	200	COLTELLO / KNIFE	60X12X1.5	
CLT255C2-60	200	COLTELLO / KNIFE	60X12X1.5	

Comprese tutte le sagome / All profiles included

Coltelli ricambio in confezioni da 10 pz / Spare knives in packs of 10 pz