

TFM4110

Testa per coltelli zigro sagomati in acciaio

Cutterhead for zigro steel knives



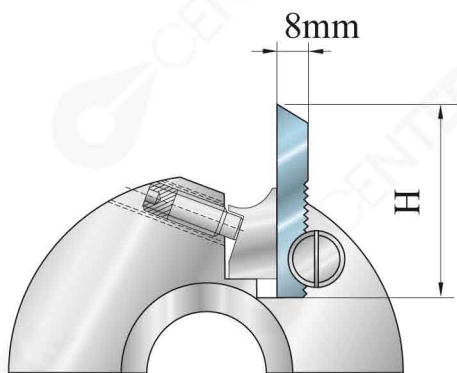
CODICE CODE	D mm	B mm	d mm	Z
TFM4110.001	122	40	35/40	2
TFM4110.002	122	60	35/40	2
TFM4110.003	122	80	35/40	2
TFM4110.004	122	100	35/40	2
TFM4110.005	122	130	35/40	2
TFM4110.006	122	40	35/40	4
TFM4110.007	122	60	35/40	4
TFM4110.008	122	80	35/40	4
TFM4110.009	122	100	35/40	4
TFM4110.010	122	130	35/40	4
TFM4110.011	122	150	35/40	4
TFM4110.012	122	180	35/40	4
TFM4110.013	122	200	35/40	4
TFM4110.014	122	230	35/40	4
TFM4110.015	137	40	35/40/50	4
TFM4110.016	137	60	35/40/50	4
TFM4110.017	137	80	35/40/50	4
TFM4110.018	137	100	35/40/50	4
TFM4110.019	137	130	35/40/50	4
TFM4110.020	137	150	35/40/50	4
TFM4110.021	137	180	35/40/50	4
TFM4110.022	137	200	35/40/50	4
TFM4110.023	137	230	35/40/50	4



Utensile collaudato
secondo la normativa
Tool tested
according to the norm

EN 847-1

L'utensile viene fornito privo di coltelli / The tool is supplied without knives



H mm	P.MAX mm	D mm	D1 mm
50	12	122	160
50	12	137	175
60	20	122	180
60	20	137	195
70	30	122	200
70	30	137	215

