

# TFM4120

Testa a serraggio idraulico per coltelli zigro sagomati

Hydro system cutterhead with zigro steel knives



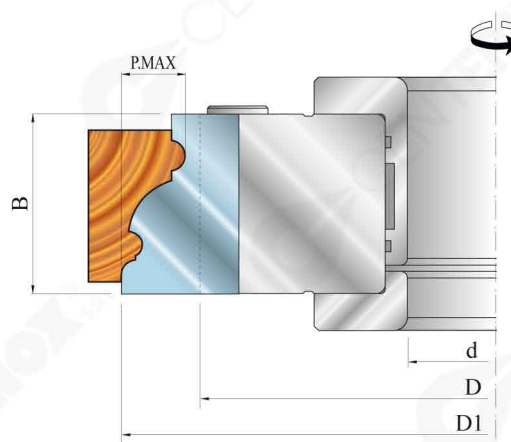
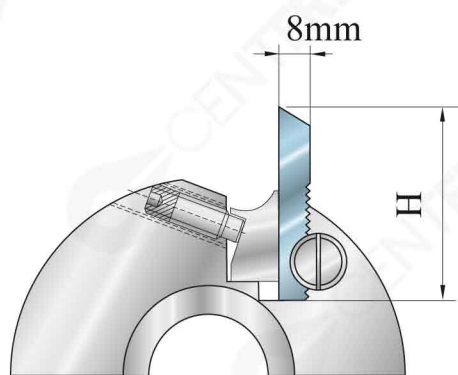
CODICE CODE	D mm	B mm	d mm	Z
TFM4120.001	137	100	35/40	4
TFM4120.002	137	150	35/40	4
TFM4120.003	152	100	35/40	6
TFM4120.004	152	130	35/40	6
TFM4120.005	152	150	35/40	6
TFM4120.006	152	180	35/40	6
TFM4120.007	152	230	35/40	6
TFM4120.008	152	260	35/40	6
TFM4120.009	152	310	35/40	6
TFM4120.010	167	100	35/40	8
TFM4120.011	167	130	35/40	8
TFM4120.012	167	150	35/40	8
TFM4120.013	167	230	35/40	8
TFM4120.014	167	260	35/40	8
TFM4120.015	167	310	35/40	8

L'utensile viene fornito privo di coltelli / The tool is supplied without knives



Utensile collaudato  
secondo la normativa  
Tool tested  
according to the norm

EN 847-1



H mm	P.MAX mm	D mm	D1 mm
50	12	137	175
50	12	152	190
50	12	167	205
60	20	137	195
60	20	152	210
60	20	167	225
70	30	137	215
70	30	152	230
70	30	167	245

