

# TFM4140

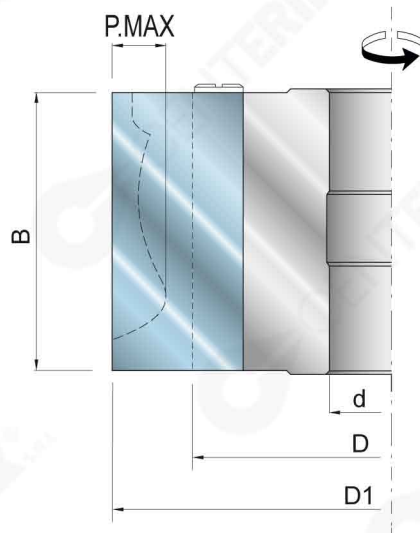
Testa per coltelli zigro sagomati in acciaio

Cutterhead for zigro steel knives



Utensile collaudato  
secondo la normativa  
Tool tested  
according to the norm

**EN 847-1**



H mm	P.MAX mm	D mm	D1 mm
50	12	122	160
50	12	137	175
60	20	122	180
60	20	137	195
70	30	122	200
70	30	137	215

CODICE CODE	D mm	B mm	d mm	Z
TFM4140.001	122	25	30/31.75/35/40	2
TFM4140.002	122	30	30/31.75/35/40	2
TFM4140.003	122	40	30/31.75/35/40	2
TFM4140.004	122	50	30/31.75/35/40	2
TFM4140.005	122	55	30/31.75/35/40	2
TFM4140.006	122	60	30/31.75/35/40	2
TFM4140.007	122	80	30/31.75/35/40	2
TFM4140.008	122	100	30/31.75/35/40	2
TFM4140.009	122	120	30/31.75/35/40	2
TFM4140.010	122	130	30/31.75/35/40	2
TFM4140.011	122	150	30/31.75/35/40	2
TFM4140.012	122	160	30/31.75/35/40	2
TFM4140.013	122	180	30/31.75/35/40	2
TFM4140.014	122	25	30/31.75/35/40	2
TFM4140.015	137	30	30/31.75/35/40/50	2
TFM4140.016	137	40	30/31.75/35/40/50	2
TFM4140.017	137	50	30/31.75/35/40/50	2
TFM4140.018	137	55	30/31.75/35/40/50	2
TFM4140.019	137	60	30/31.75/35/40/50	2
TFM4140.020	137	80	30/31.75/35/40/50	2
TFM4140.021	137	100	30/31.75/35/40/50	2
TFM4140.022	137	120	30/31.75/35/40/50	2
TFM4140.023	137	130	30/31.75/35/40/50	2
TFM4140.024	137	150	30/31.75/35/40/50	2
TFM4140.025	137	160	30/31.75/35/40/50	2
TFM4140.026	137	180	30/31.75/35/40/50	2

L'utensile viene fornito privo di coltelli / The tool is supplied without knives

