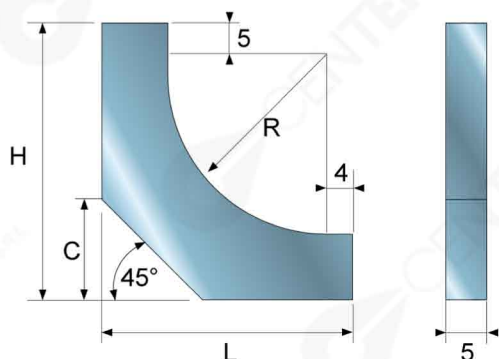


Quarti di raggio concavi per frese saldobrasate

Quarter radius concaves for brazed tools



CODICE CODE	L mm	H mm	R mm	C mm
RQ0502101905	19	21	5	6
RQ0752352155	21.5	23.5	7.5	7
RQ1002702405	24	27	10	8
RQ1252952655	26.5	29.5	12.5	10
RQ1503202905	29	32	15	11
RQ1753553155	31.5	35.5	17.5	13
RQ2003803405	34	38	20	14
RQ2254053655	36.5	40.5	22.5	16
RQ2504303905	39	43	25	17
RQ2754554155	41.5	45.5	27.5	19
RQ3004904605	46	49	30	22
RQ3255154855	48.5	51.5	32.5	24
RQ3505405105	51	54	35	24
RQ3755655355	53.5	56.5	37.5	26
RQ4005905605	56	59	40	28
RQ4506436135	36.1	64	45	30
RQ5006936635	36.6	69	50	30