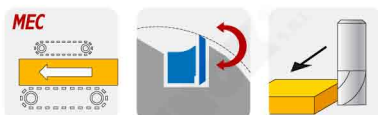


TPP15Q

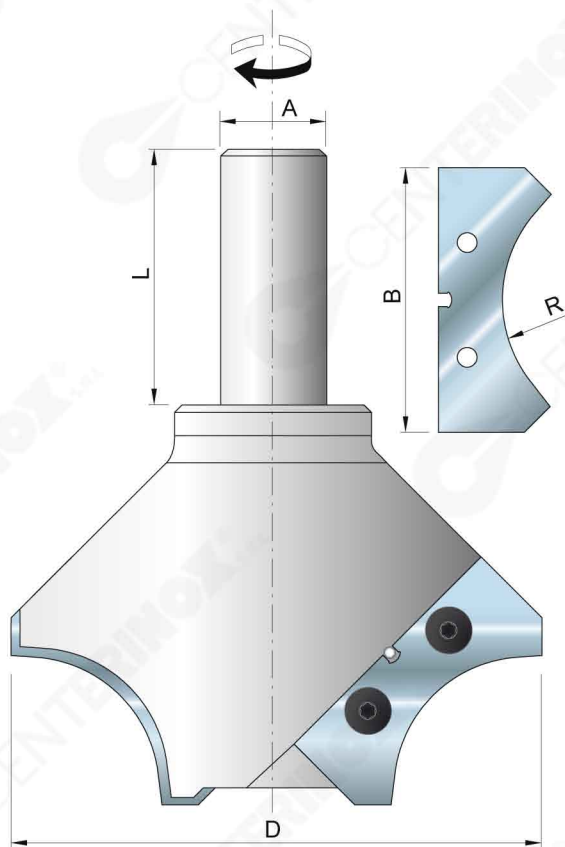
Punta portacoltelli multiprofilo

Multiprofile CNC router bit



Utensile collaudato
secondo la normativa
Tool tested
according to the norm

EN 847-1



CODICE CODE	D mm	B mm	R mm	A / L mm	Z
TPP15Q.001	55	20	8/10	Ø20X50	2
TPP15Q.002	70	30	12/15	Ø20X50	2
TPP15Q.003	85	40	20/25	Ø20X50	2
TPP15Q.004	116	60	30/35	Ø20X50	2
TPP15Q.005	116	60	40/42.5	Ø20X50	2

CODICE CODE	PARTI DI RICAMBIO SPARE PARTS		
VRTX1	VITE / SCREW	M4X6 TORX	
CLP15Q/8	COLTELLO / KNIFE	20X20X2 - R8	
CLP15Q/10	COLTELLO / KNIFE	20X20X2 - R10	
CLP15Q/12	COLTELLO / KNIFE	40X25X2 - R12	
CLP15Q/15	COLTELLO / KNIFE	40X25X2 - R15	
CLP15Q/20	COLTELLO / KNIFE	40X25X2 - R20	
CLP15Q/25	COLTELLO / KNIFE	40X25X2 - R25	
CLP15Q/30	COLTELLO / KNIFE	60X30X2 R30	
CLP15Q/35	COLTELLO / KNIFE	60X30X2 R35	
CLP15Q/40	COLTELLO / KNIFE	60X30X2 R40	
CLP15Q/42.5	COLTELLO / KNIFE	60X30X2 R42.5	