

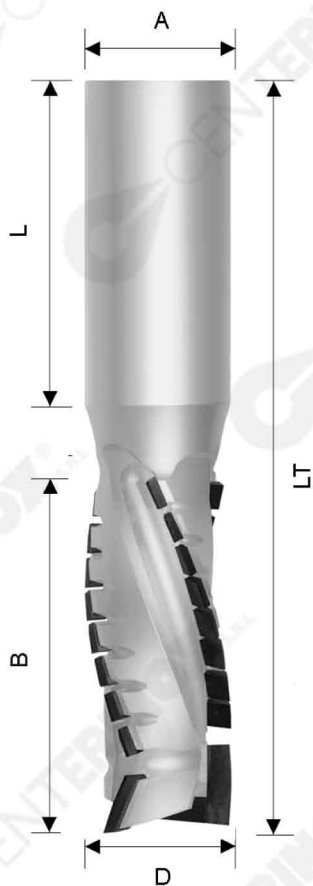
PDT031

Punta elicoidale al diamante Z3 H4
Per forte avanzamento

CNC Helical routerbit Z3 pcd H4 for quick feed



CODE		D mm	B mm	LT mm	A mm	L mm	Z=3+3 n° placchette
RIGHT Rot.	LEFT Rot.						
PDT031.001R	PDT031.001L	18	25	85	20	50	10+1HW
PDT031.002R	PDT031.002L	18	30	90	20	50	13+1HW
PDT031.003R	PDT031.003L	20	25	85	20	50	10+1HW
PDT031.004R	PDT031.004L	20	30	90	20	50	13+1HW
PDT031.005R	PDT031.005L	20	35	95	20	50	16+1HW
PDT031.006R	PDT031.006L	20	45	105	20	50	22+1HW
PDT031.007R	PDT031.007L	22	35	95	20	50	16+1HW
PDT031.008R	PDT031.008L	22	45	105	20	50	22+1HW
PDT031.009R	PDT031.009L	25	30	95	25	55	13+1HW
PDT031.010R	PDT031.010L	25	45	110	25	55	22+1HW
PDT031.011R	PDT031.011L	25	50	115	25	55	25+1HW
PDT031.012R	PDT031.012L	25	55	115	20	50	28+1HW



Si consiglia l'utilizzo della punta PDT031 in abbinato con i Vortici VRT010 / VRT015.

We recommend the use of the routerbit PDT031 combined with Vortex VRT010 / VRT015.

VRT010



VRT015

